



# HOTTAP<sup>V2</sup>

User guide

Require assistance?  
[support.joolca.com](https://support.joolca.com)

Joolca<sup>®</sup>

# Make yourself **at home**

With Joolca, you can feel at home anywhere. Go further, stay longer – and have more fun together!

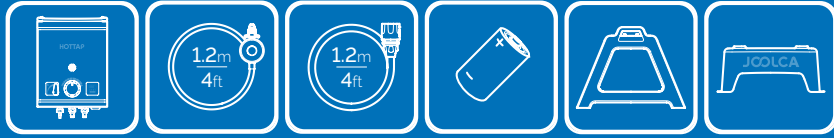


*Scan to find out more*

## Contents

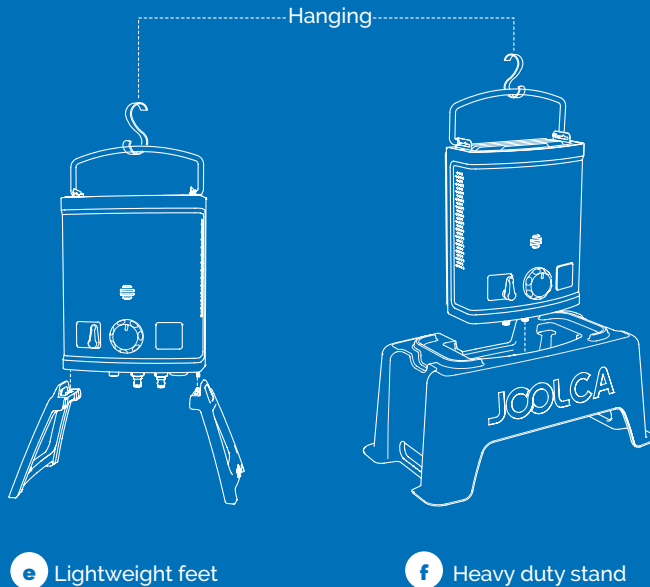
<b>Quickstarts</b>	<b>2</b>
Hottap quickstart	2
Ensuite quickstart	4
Faucet quickstart	6
Off-grid plumbing quickstart	8
Nomad quickstart	10
<b>Setup and use</b>	<b>12</b>
Hottap set up	12
Off-grid plumbing set up	23
<b>Troubleshooting</b>	<b>26</b>
Hottap	27
Off-grid plumbing	30

# Hottap quick start



a b c d e or f

included in  
the nomad kit



e Lightweight feet

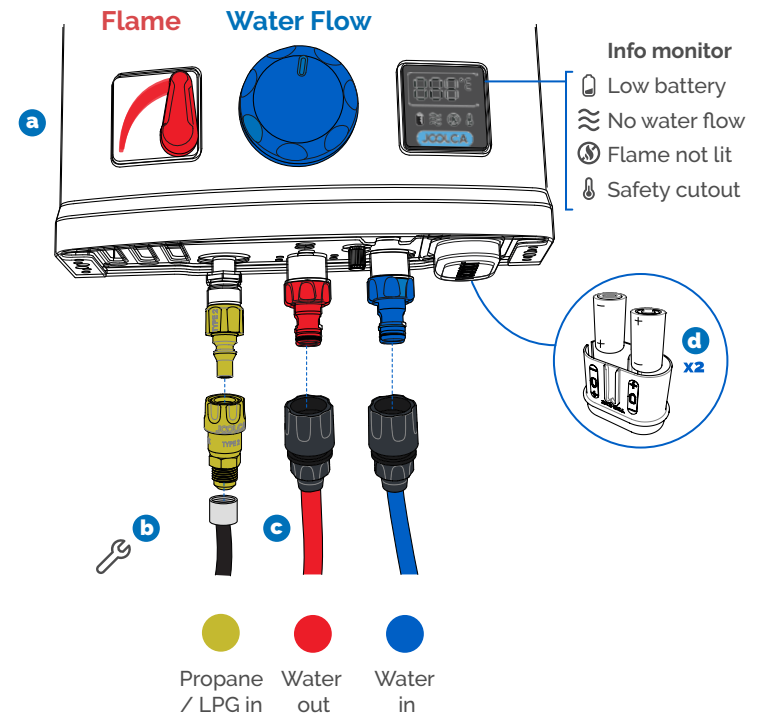
f Heavy duty stand

# Instructions for use

1. Turn the water flow on at the shower handle switch, and the burners will ignite automatically.
2. Set water temperature by adjusting the red **Flame** lever and the blue **Water Flow** dial.

For hottest water, set the red **Flame** lever to **high** (upright) and the blue **Water Flow** dial to **low** (left).

3. Check the temperature reading on the information monitor.
4. When finished, turn off water flow at shower handle switch, and the burners will automatically extinguish.



a

b

c

d  
x2

Propane  
/ LPG in

Water  
out

Water  
in

- Info monitor**
- Low battery
  - No water flow
  - Flame not lit
  - Safety cutoff

## Ensuite quick start



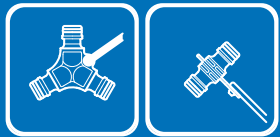
a

b

c

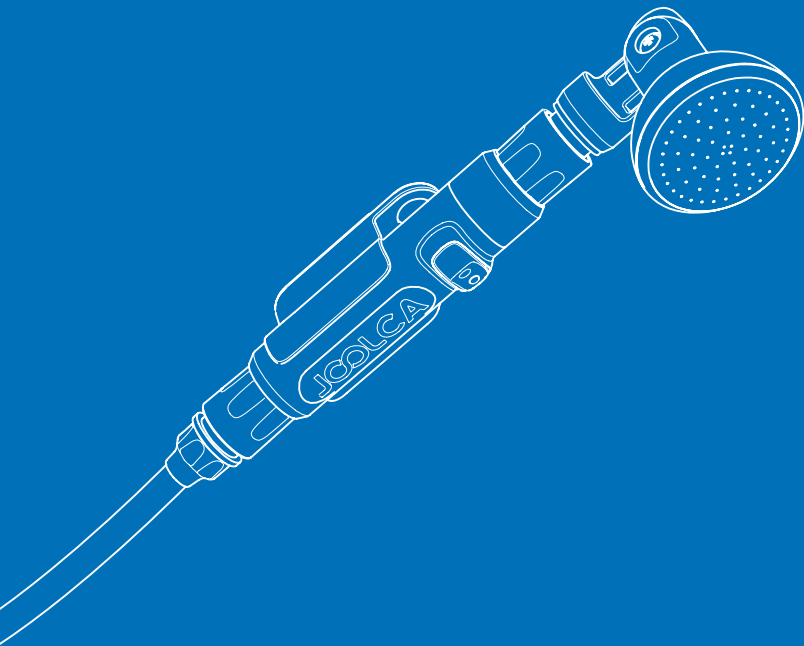
d

e

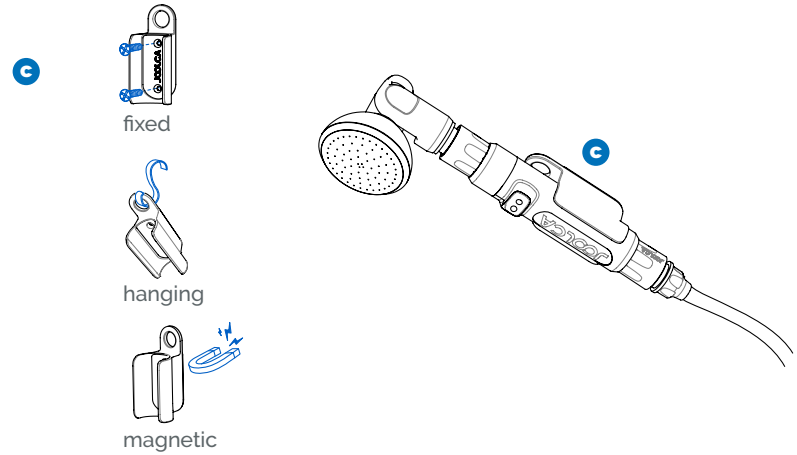


f

g



## Magnetic shower clip



c

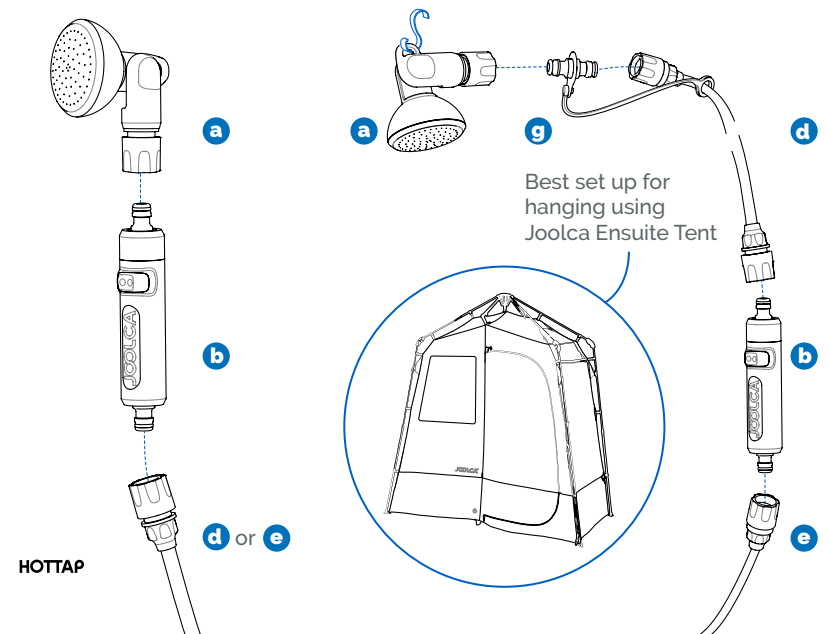
fixed

hanging

magnetic

c

## Handheld and mounted setup



a

b

d or e

a

g

d

b

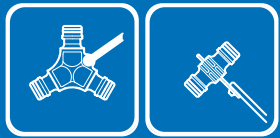
e

Best set up for hanging using Joolca Ensuite Tent

# Faucet quick start

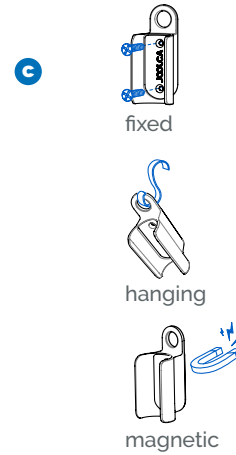


a b c d e

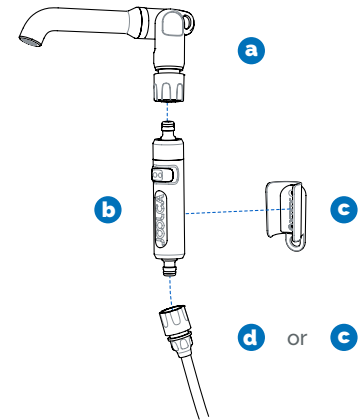


f g

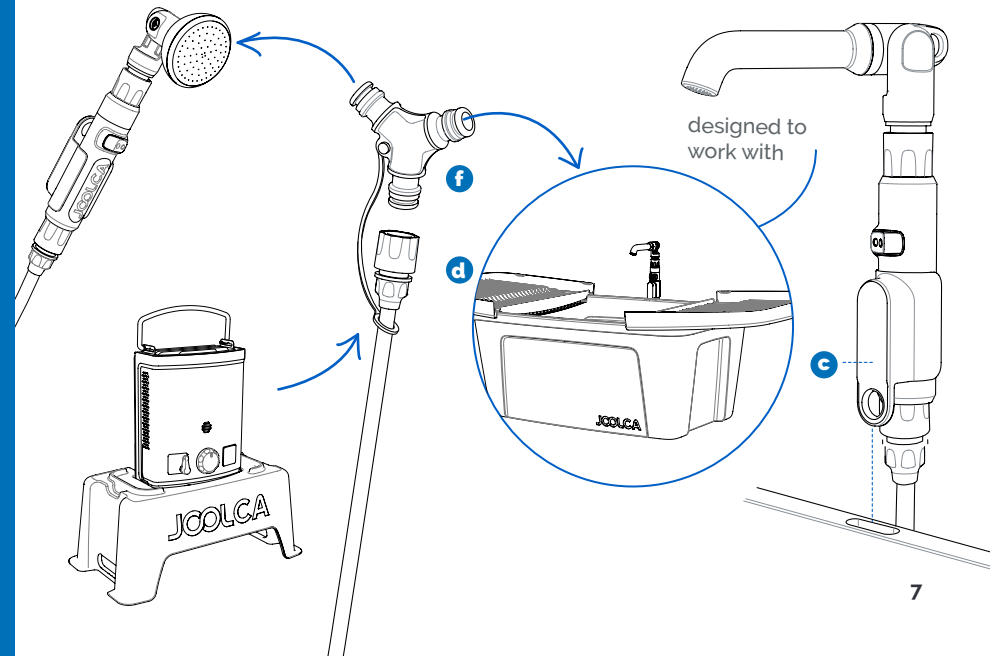
# Magnetic faucet clip



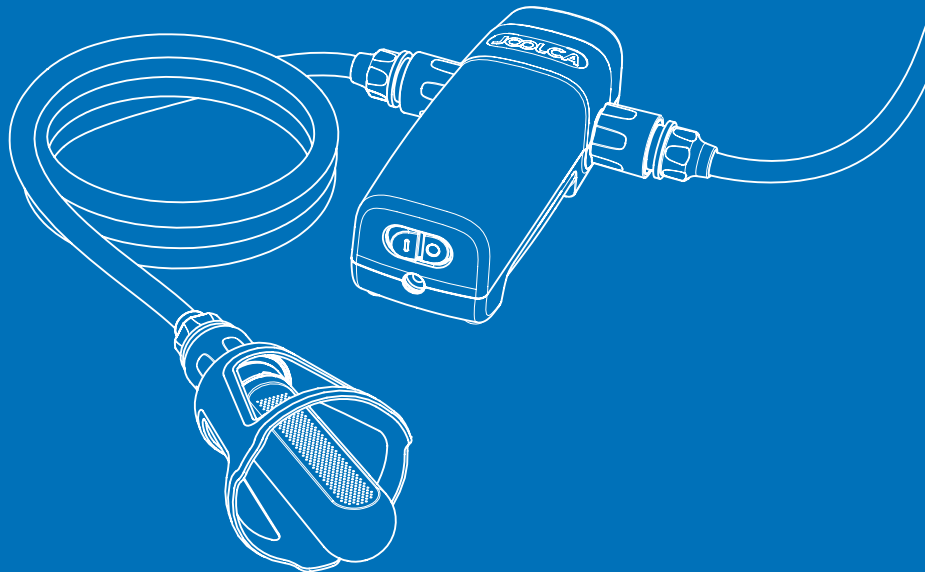
# Faucet setup



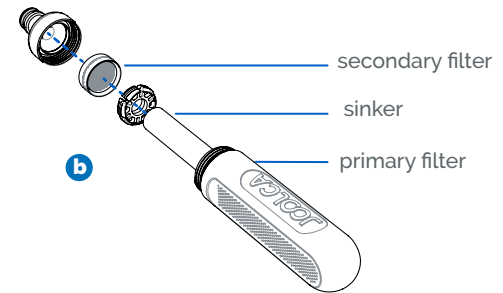
# Full Hottap setup



# Off-grid plumbing quick start

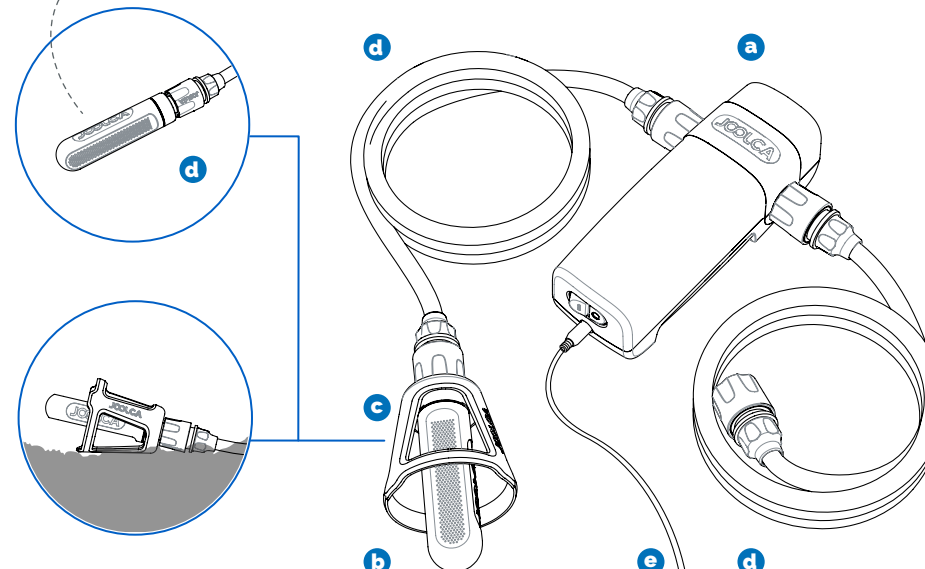


# Filter assembly

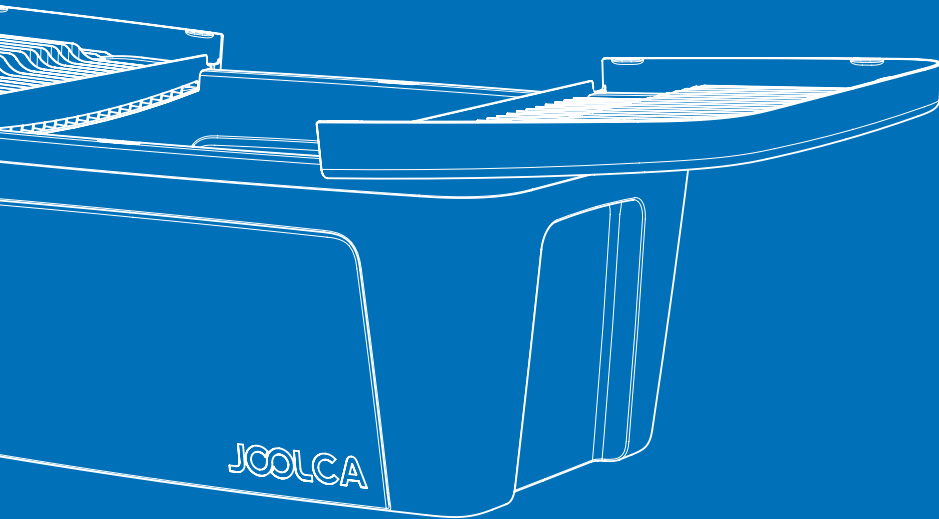
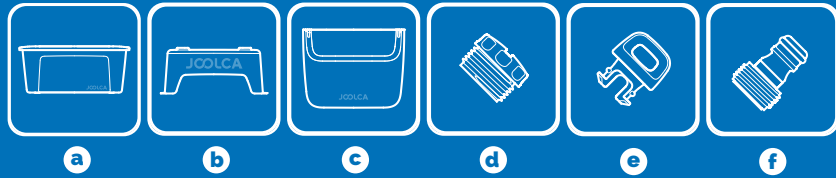


# Off-grid plumbing setup

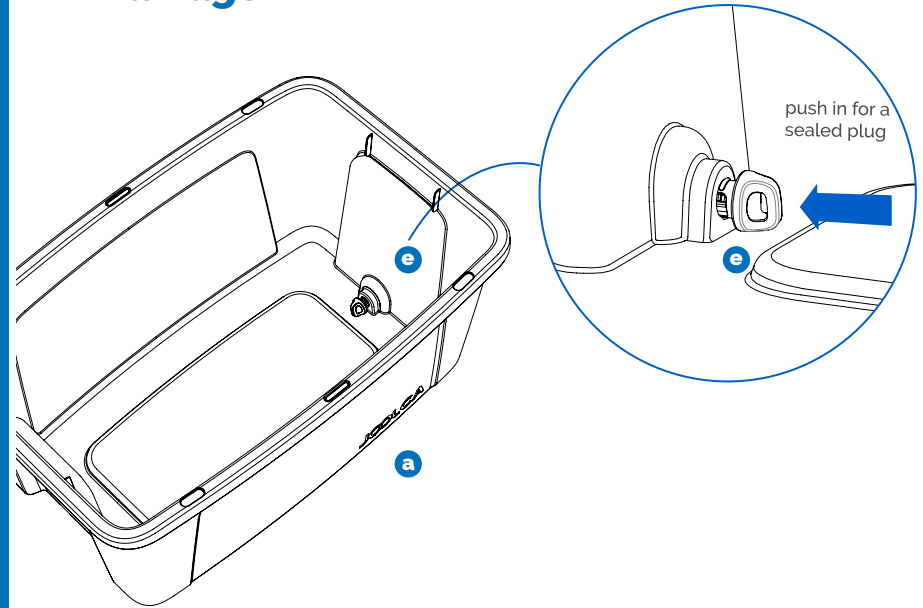
slim enough  
to fit into  
most jerry cans



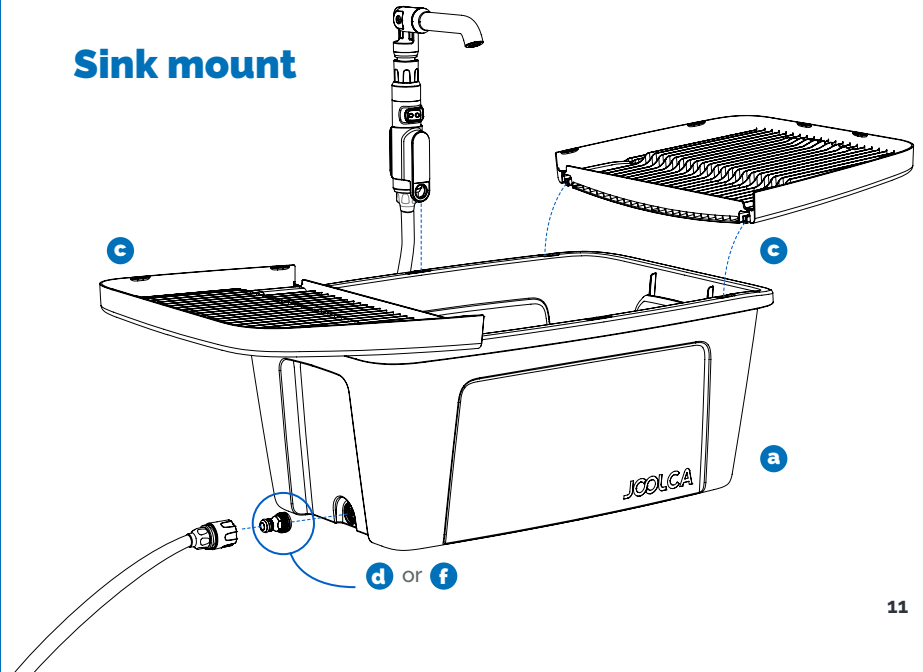
# Nomad quick start



## Drainage



## Sink mount



# Setting up Hottap



## Parts overview\*

1. HOTTAP unit
2. GasKnect snap-on fitting
3. 1.2m /4ft LPG / propane hose
4. Lightweight feet\*\*
5. Shower head
6. 4m / 13ft shower hose
7. 1m / 3 ft shower hose
8. Shower handle with switch
9. Magnetic shower handle holder
10. Hose coupling connector
11. Three-way hose splitter

\*Your kit may contain additional accessories, please consult your quick start guides for more information

\*\* Nomad kit includes a Heavy duty stand in place of Lightweight feet.

Before setting up, please note that Hottap requires a water pressure of at least 70kPa /10 PSI to work. This part of the guide assumes that you have access to mains water.

For use with the Off-Grid Plumbing kit, please refer to pages 25-27.

To set up your Hottap for use, please cover the following steps:

1. Install 2 D-cell batteries observing the labeling on the battery box and the batteries.

2. Using a spanner, connect the female GasKnect fitting to the LPG / propane hose.

### Do not use thread tape

Connect the regulator to the LPG / propane bottle and the GasKnect to the Hottap unit.

The LPG / propane cylinder must be positioned away and to the side of the appliance. It must never be directly beside, below or above the appliance.





## Setting up Hottap

3. When mounting your Hottap, please ensure that there is sufficient clearance from people and combustible materials: at least 1,000mm / 3.3ft from the top, 600mm / 2ft at the rear and at least 500mm / 1.7ft from the sides and front of the unit.

Depending on what particular Hottap kit you own, you may mount it in one of three ways:

### 3.a. Heavy-duty stand

Connect all hoses (see point 4.) and place unit into the heavy-duty stand.



- 3.b. Hang the Hottap on a suitable vertical surface



### 3.c. Lightweight legs

Fasten the lightweight feet with the captive thumb screws.



4. Attach the red shower hose to the red quick-connect fitting.

Connect the blue hose to your water source and to the blue quick-connect fitting on the Hottap.

Attach the Gasknect brass fitting to the LPG / propane inlet.



5. Connect the regulator to the LPG / propane cylinder. Open the LPG / propane cylinder by twisting the valve knob in an anti-clockwise direction one full turn.

Check the entire LPG / propane line for leaks by coating the hose and connection points with soapy water. **Do not use a flame.** If bubbles are formed or you can hear a leak, turn off the LPG / propane at the cylinder. Tighten all connections and test again.

Once you have determined that there are no leaks, the appliance is ready to use. Turn the gas off.

Note: the gas hose & regulator supplied with your HOTTAP may look different but will be the correct one for your region.



## Hottap operation

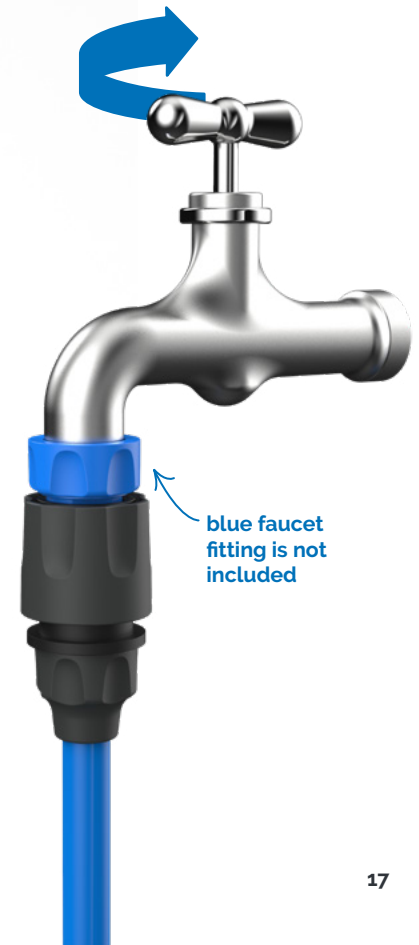
1. Ensure that the shower handle switch is in the "off" position.



2. Turn the LPG / propane on by twisting the cylinder valve knob in an anti-clockwise direction one full turn.



3. Open the valve at your water source. Please note that, since the shower handle switch is in the "off" position, water should **not** be flowing through the showerhead. (Blue faucet fitting is not included)



## Hottap operation

4. You can now control the entire system at the shower handle switch. Flick it on: the water starts to flow and the Hottap burner automatically ignites. Flick it off: the water flow stops and the Hottap burner automatically extinguishes.

Bearing in mind that the water might be very hot, stand clear of the shower when turning it on.



5. Adjust the red **flame lever** and the blue **water flow dial** to find your desired temperature and flow rate.

For **higher** temperatures, turn the **flame up** and the **water flow down**.

For **lower** temperatures, turn the **flame down** and the **water flow up**.



## Storage & cleaning

Before storing, make sure the unit is cool to the touch.

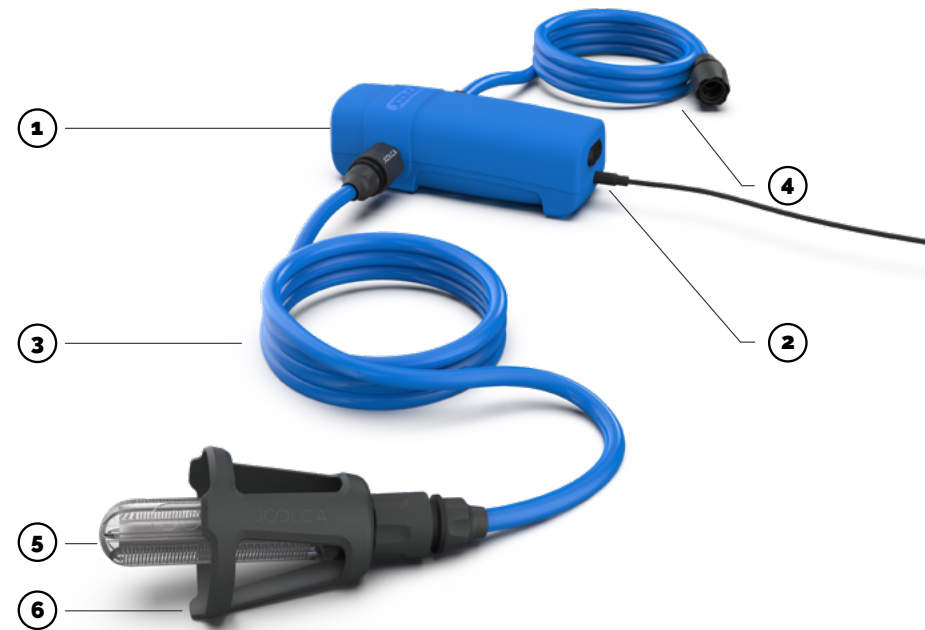
1. Turn your LPG / propane cylinder off and remove the LPG / propane hose. If using the Gasknect coupler, pull down on the bottom of the coupler and the hose will release. If not using the Gasknect, unscrew the LPG / propane hose.
2. Turn off your water supply and disconnect the water hoses. Be careful to ensure that no hot water remains in the hoses before disconnection.
3. Drain water from the Hottap and water hoses then pack away.
4. If storing for extended periods, remove the 2x D-cell batteries.
5. Gently wipe the panels of the appliance with a wet cloth. Clean all water inlet filters by rinsing in a sink or with a hose to remove debris.
6. Store in a dry area.

## FROST DAMAGE WARNING

If you'll be using your Hottap in areas prone to frost, please disconnect water hoses after use. This is to avoid frost damage to Hottap's internal components.

For additional safety considerations, please refer to Hottap v2 specifications & warning information booklet.

# Off Grid Plumbing setup



1. 12V pump
2. 5m / 16ft lighter port lead
3. 2m / 6ft intake hose
4. 2m / 6ft outlet hose
5. Two-stage filter
6. Intake collar

**Warning:** The pump should only be operated from an approved 12V DC Power source. Please consult a professional if unsure if your power source can meet the requirements of the pump.

## Off Grid Plumbing : Setting up & Use

1. Remove the red plugs from the inlet and outlet of the pump.
2. Snap the hoses onto the quick-connect fittings on the water inlet and outlet.
3. Set up your filter for intended use - i.e. with or without the intake collar - and attach to end of pump inlet hose. Drop or throw filter into water source.
4. Observing the flow direction of the pump, attach the pump outlet hose to the blue quick-connect fitting on the Hottap.
5. Plug the lighter port cable into the pump and connect to power.
6. Press the power button on the pump, leaving it in the "on" position. You can now start and stop the pump (as well as the Hottap) simply by flicking the switch on the shower or faucet handle.



## Troubleshooting

---

### JOOLCA SUPPORT PORTAL

Should your appliance not be operating correctly, please refer to the following pages for immediate technical advice.

You can also check out our online support portal at [support.joolca.com](https://support.joolca.com)

There's a wealth of information, including some very handy getting-started videos and troubleshooting tips.

Most technical issues can be resolved without any need for repairs. However, should you require personal advice or service, please don't hesitate to contact Joolca Customer Support.

---

### IMPORTANT!

**Do not attempt to repair or modify the appliance.**

---

## Troubleshooting : Hottap

### **HOTTAP is activated by water pressure**

- Without sufficient water pressure, nothing will happen
- Running on mains water is no problem
- House pumps are generally powerful enough
- Gravity feeds require a drop height of at least 15m / 49ft
- 12V pumps must have a flow rate of 6-12L/min / 0.5-1 gal/min
- 12V pumps powered by weak batteries have lower output than stated
- 12V pumps with partially blocked suction filters have lower output than stated
- Restricting water pressure (kinked hoses or debris in filters) impacts the HOTTAP

### **HOTTAP shows quality of flame in viewfinder**

- Look through slits above the control dials to see the burners
- If you see no flame, HOTTAP has not ignited
- A still blue flame with yellow tips is perfect
- A flame that moves side to side or stretches up means wind issues
- A yellow flame indicates an issue with the LPG / propane mixture

### **HOTTAP is limited by the laws of physics (and the government regulatory authority)**

- HOTTAP automatically shuts off when outlet water hits +50°C / 122°F
- Do not block the flue LPG / propane outlet at the top of the unit
- In summer, lower LPG / propane flow and increase water flow to avoid safety shut-off
- In winter, run at high LPG / propane flow and low water flow for maximum heating
- The temperature of incoming water can be increased by a maximum 40°C / 104°F (e.g. if incoming water is +5°C / 41°F, HOTTAP can put out +45°C / 113°F water)
- If you have a 12V pump (included in some kits), you can gradually increase the temperature by recirculating the water; simply direct the heated water back into the container you are drawing from until it has reached desired temperature

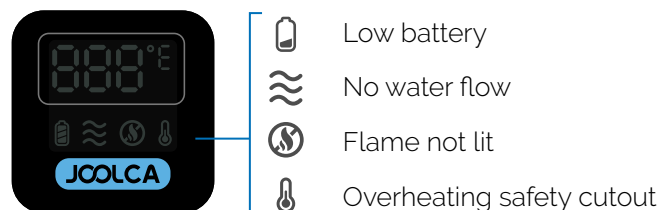
### **HOTTAP is a portable appliance for recreational use only**

- Hottap is not allowed to supply drinking or sanitary water

# Troubleshooting : Hottap

## AUTOMATIC DIAGNOSTICS

To identify a range of potential issues, simply press and hold the Joolca logo button below the LED display.



## THE APPLIANCE WILL NOT IGNITE AT ALL

- Ensure new batteries are installed in the correct polarity (+/-). Check the cap of the battery case for instructions on how they should be installed. Check that batteries are not past their expiration date.
- Check for sufficient water flow and pressure. The unit must have a minimum of 45kPa / 6.5PSI of sustained water pressure and at least 4LPM / 1 gl/min to activate the burners. At high water flow, 70kPa / 10PSI is required.
- Check that the water inlet filter is free from debris. To flush the system, connect the blue input water hose to the red outlet port on the Hottap and turn on the water flow. Once complete, disconnect hose and set up Hottap as per standard instructions.
- If you can hear the clicking sound of the igniter, the batteries might be faulty or running low. This is particularly likely if you can hear a slow 1-2 clicks per second (at full power, there are 4-5 clicks per second). Check the expiration date of your batteries and try a fresh set.

## THE UNIT SHUTS DOWN SHORTLY AFTER STARTING

- Outlet water might have reached +50°C / 122°F, triggering the automatic safety cutout. Increase the water flow and lower the flame setting.
- Check the water flow and pressure. The unit must have a minimum of 45kPa / 6.5PSI (at low water flow) of sustained water pressure and at least 4LPM / 1 gl/min to activate the burners.
- Strong winds might have extinguished the flame. Ensure unit is sheltered.
- If the unit turns off when you increase the water flow, you either don't have enough water pressure (perhaps using a gravity feed or an undersized pump) or there is a blockage somewhere. Check hoses for kinks and all filters, including the threaded brass inlet fitting on the Hottap, for debris.

## THE WATER IS NOT HOT ENOUGH

- Adjust the red flame lever and the blue water flow dial. For higher temperatures, turn the flame up and the water flow down.
- The temperature of the input water might be too low. If this is the case, you can cycle water between the appliance and a source reservoir until it has reached your desired temperature.
- Check the quality of the flame through the viewing window. If the flame is yellow rather than blue, the LPG / propane regulator might have broken down. Immediately shut down the unit and call Joolca Customer Service.  
**DO NOT** attempt to use the appliance.



# Troubleshooting : Off Grid Plumbing

## **THE PUMP ISN'T WORKING AT ALL**

- Check that the pump is properly connected to a 12V power source or charged 12V battery.

## **THE PUMP MAKES A NOISE BUT DOES NOT PUMP WATER**

- Ensure that the red plastic plugs have been removed from the water inlet and outlet valves.
- Ensure that the inlet hose suction filter is clear. If clogged, back-flush or disassemble and rinse individual parts.

## **THE FLOW OR PRESSURE SEEMS TO HAVE BEEN REDUCED**

- Ensure that hoses are free from kinks and debris blocking water flow.
- Ensure that the HOTTAP inlet filter is free from blockages.
- Ensure that your 12V battery holds a sufficient charge to power the pump.
- Ensure that all water hose connections are tight and that there are no air leaks.

**Need support?**

[support.joolca.com](https://support.joolca.com)

